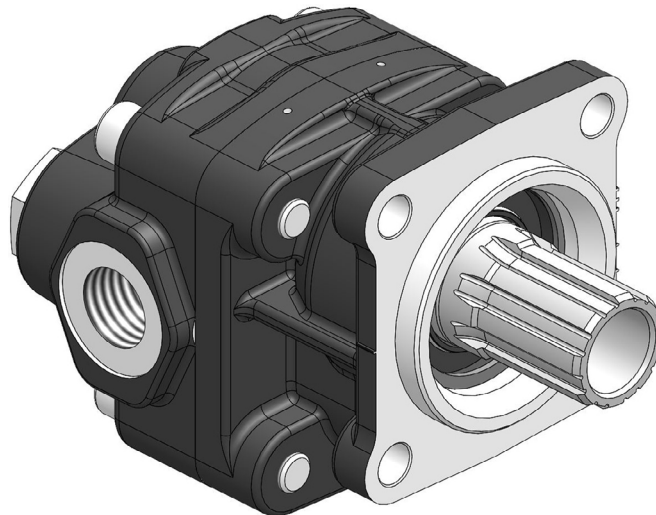


NPK ISO gear pumps

We are glad to inform you that our gear pumps range will include now also the following **version NPK ISO**.



Technical data

| Pump type | Displacement | Code | | IN ISO 228 | OUT ISO 228 | Pressure | | | Max. continuous speed rpm | Max. intermittent speed rpm | Min. speed rpm | Weight Kg |
|---------------|--------------|-------------|-------------|---------------|----------------|----------|-----|-----|------------------------------|--------------------------------|-------------------|--------------|
| | | | | | | P1 | P2 | P3 | | | | |
| | | Right | Left | ISO 228 | ISO 228 | bar | bar | bar | | | | |
| NPK-10 | 10,5 | 10505010103 | 10505010112 | G 1/2 | G 1/2 | 290 | 320 | 330 | 2200 | 3000 | 300 | 7,7 |
| NPK-16 | 15,8 | 10505010167 | 10505010176 | G 3/4 | G 1/2 | | | | | | | 280 |
| NPK-20 | 19,8 | 10505010201 | 10505010210 | G 1 | G 3/4 | 275 | 280 | 290 | | | | |
| NPK-25 | 25 | 10505010256 | 10505010265 | | | | | | | | | 230 |
| NPK-32 | 32 | 10505010327 | 10505010336 | | | 200 | 230 | 250 | | | | |
| NPK-40 | 40 | 10505010407 | 10505010416 | 10,6 | | | | | | | | |
| NPK-46 | 45,2 | 10505010461 | 10505010470 | 11,2 | | | | | | | | |

P1=Max. continuous pressure
P2=Max. Intermittent pressure
P3=Max. peak pressure

(100%)
(20 sec.max.)
(6 sec.max)



Collegamenti:
[Data sheet](#)

For any information you may need, please contact export department.